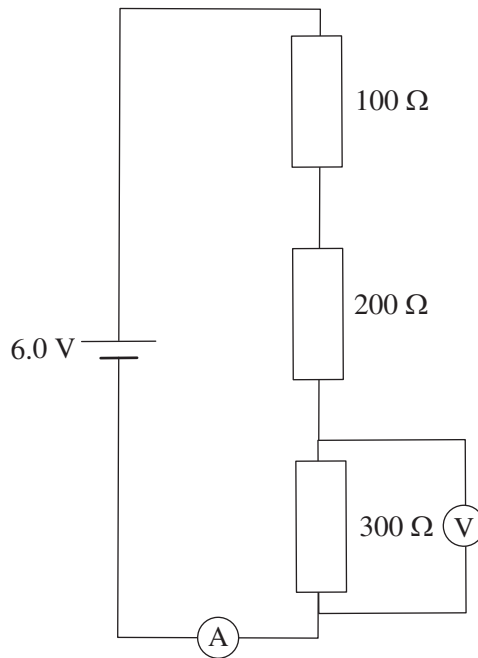


Question 12 (6 marks)

- a. A student set up a circuit as shown in Figure 3.

**Figure 3**

State the effective resistance, ammeter reading and voltmeter reading for the circuit shown above.

3 marks

| | |
|---------|----------|
| $R_T =$ | Ω |
|---------|----------|

| | |
|------------------------|-------------|
| $I_{\text{ammeter}} =$ | mA |
|------------------------|-------------|

| | |
|--------------------------|------------|
| $V_{\text{voltmeter}} =$ | V |
|--------------------------|------------|